

- For sensor IKU/DKU 008
- Stainless steel
- Can be combined with HM7



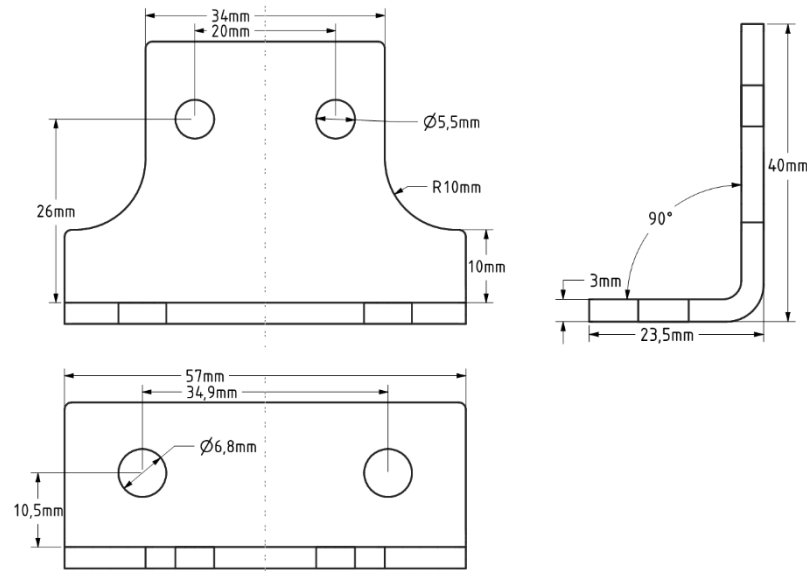
Product Characteristics

Type	HM8
Art.-No.	9816H
Application	In combination with HM7 for mounting can sensors on canning lines

Technical Data

Material	stainless steel
----------	-----------------

Dimension (mm)



Accessories (in scope of supply)

	Type	Art.-No.
Nut M5, stainless steel (2 pieces)	-	-

Accessories (not in scope of supply)

	Type	Art.-No.
Mounting bracket for can line	HM7	9816G

Further Information

	Document
-	-

Installation Examples