

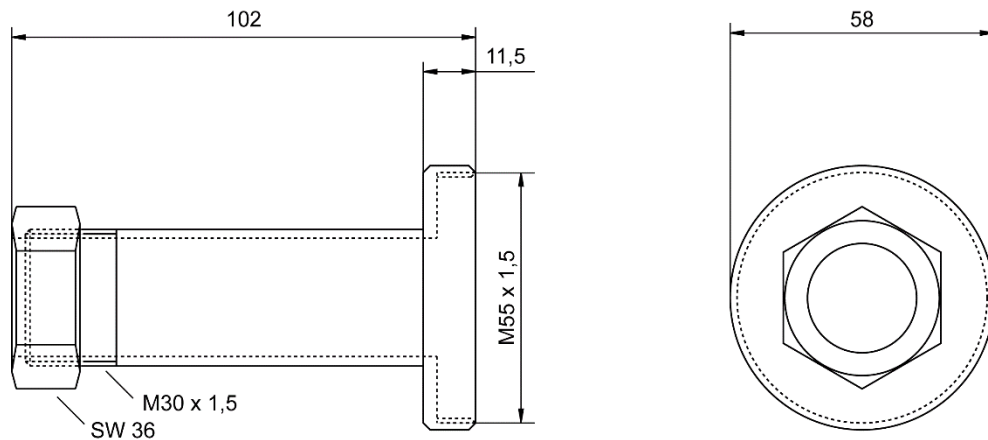
- For optical sensors with air purge attachment
- Spot size narrowing
- Detection of smaller objects with light barriers
- Protecting the optics from thermal radiation
- Improvement of the air blowing effect
- Stainless steel

**Product Characteristics**

Type	OL36
Art.-No.	9828S
Application	Spot size narrowing of optical sensors with air purge attachment OL34 or OL35

**Technical Data**

Material	stainless steel
----------	-----------------

**Dimension (mm)**

**Accessories** (in scope of supply)

	<b>Type</b>	<b>Art.-No.</b>
Aperture set with 1x pinhole 8 mm and 1x 4 mm opening, made of PTFE	BLS1	9809D

**Accessories** (not in scope of supply)

	<b>Type</b>	<b>Art.-No.</b>
-	-	-

**Further Information**

	<b>Document</b>
Manual	BDA_Tubus_D_E