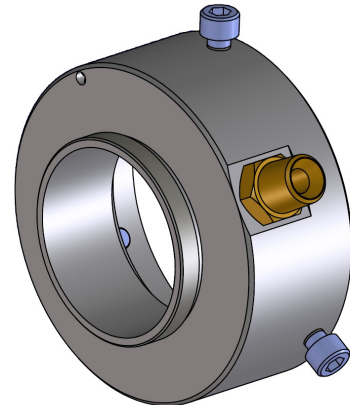


Air purge unit with air connection for lens cleaning usable with light barrier and infrared sensor, with M55 thread for optionally Protection tubes.



Technical Data

Type	OL 35
Art.-No	9828R
useable with	OKB, OAB, LAB, LSB, LRB, LTB, LIB, LMB
hose connection	1/4"
air pressure max.	0,3 bar
air consumption	60 l/min (0,15 bar)
Material	Stainless steel
dry, clean air (oil and dust free)	

