

- For optical sensors
- Stainless steel
- Height adjustable, movable, rotatable, tiltable



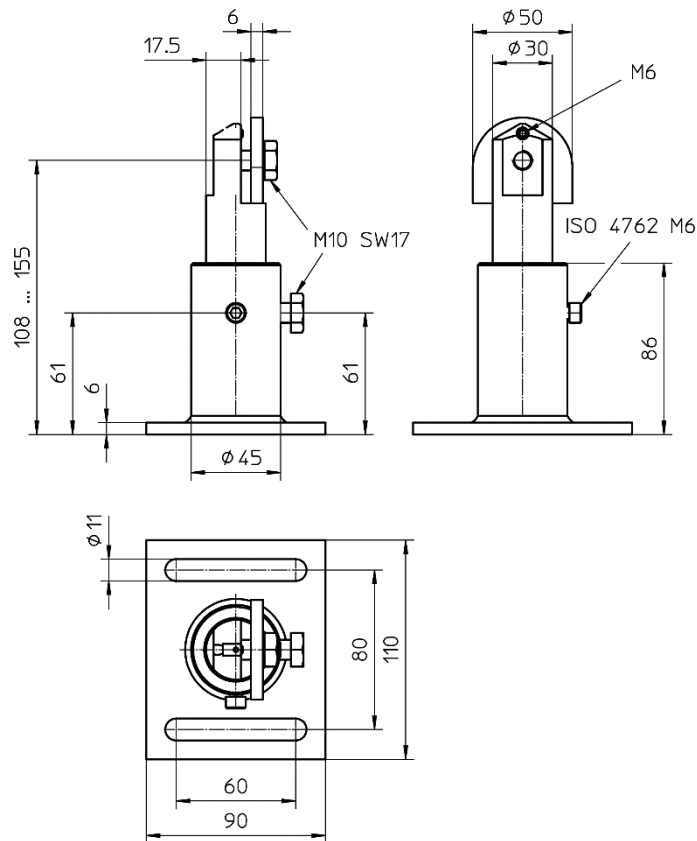
Product Characteristics

Type	HM2
Art.-No.	9816B
Application	Mounting of optical sensors

Technical Data

Material	stainless steel
----------	-----------------

Dimension (mm)



Accessories (in scope of supply)

	Type	Art.-No.
-	-	-

Accessories (not in scope of supply)

	Type	Art.-No.
-	-	-

Further Information

	Document
-	-

Installation Examples

