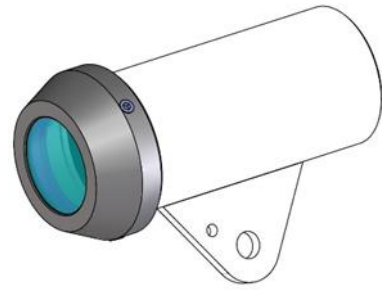


- For optical sensors with housing \varnothing 57 mm
- Ambient temperature up to 280 °C



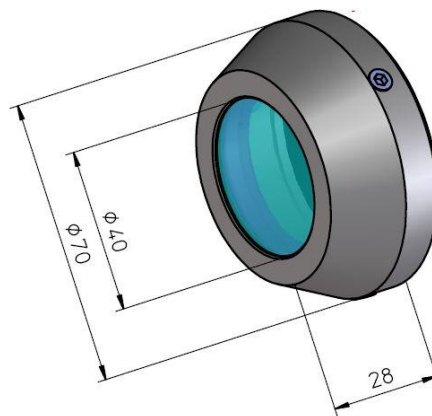
Product Characteristics

Type	SG 8
Art.-No.	9809F
Application	For optical sensors with stainless steel housing 57 mm diameter

Technical Data

Ambient temperature	-40 ... +280 °C
Material	stainless steel / glass

Dimension (mm)



Accessories (in scope of supply)

	Type	Art.-No.
-	-	-

Accessories (not in scope of supply)

	Type	Art.-No.
Replacement glass with seal	OE 007	9701G

Further information

	Document
-	-