

- Protective cap for sensor types K and M
- Inside diameter 112 mm
- inside high 42 mm
- PTFE

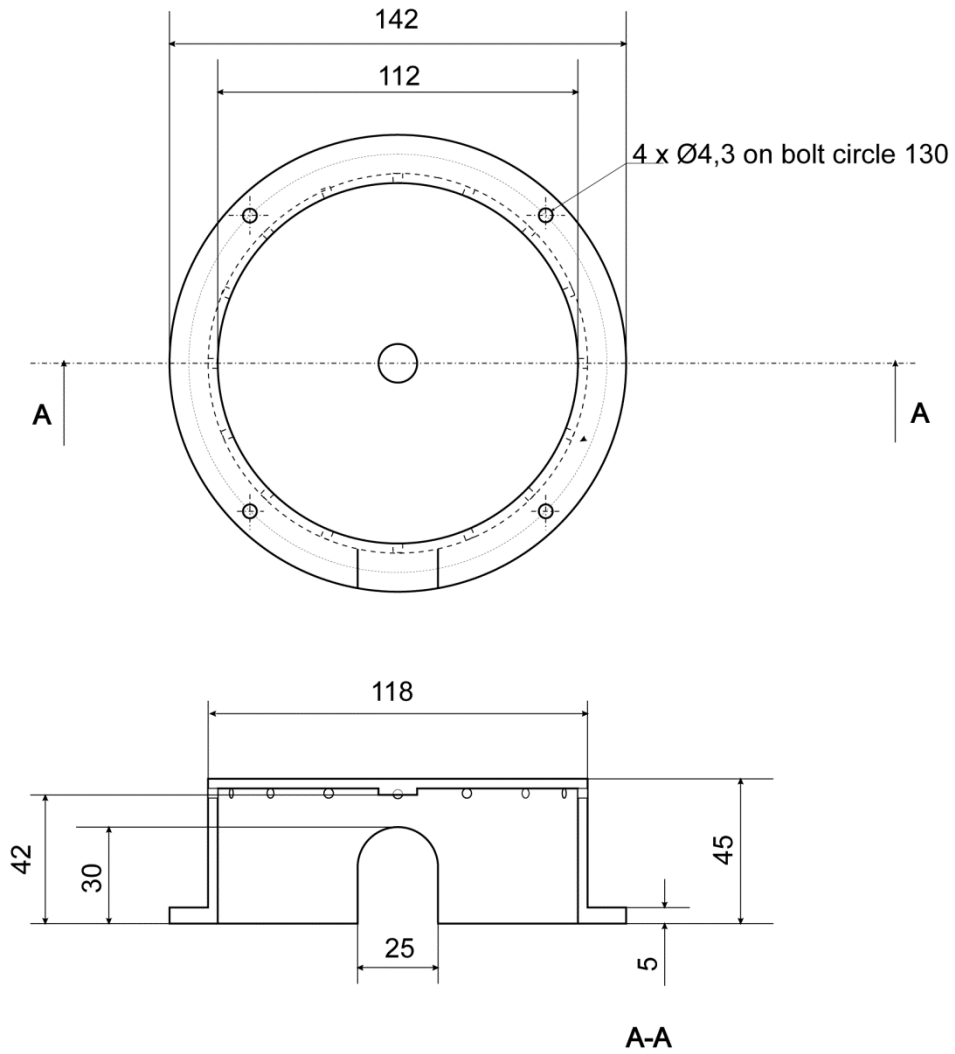
**Product Characteristics**

Type	HKP K M
Art.-No.	9810F
Application	Protection of the sensor surface from heat radiation for sensor types K and M

**Technical Data**

Ambient temperature	-40 ... +260 °C
Material	PTFE

**Dimension (mm)**



**Accessories** (in scope of supply)

Type	Art.-No.

**Further information**

Document
-