

- female plug S12 (M12 x 1) with cable
- 12 wire
- shielded



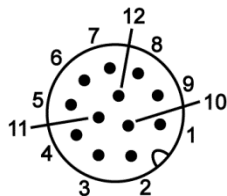
**Product Characteristics**

Cable type	Type	Art.-No.
Female plug S12 with 2 m shielded cable	ST S12-2S	9851J
Female plug S12 with 2 m shielded cable	ST S12-5S	9851K
Female plug S12 with 2 m shielded cable	ST S12-10S	9851L
Application	Connection cable for sensors with plug S12	

**Technical Data**

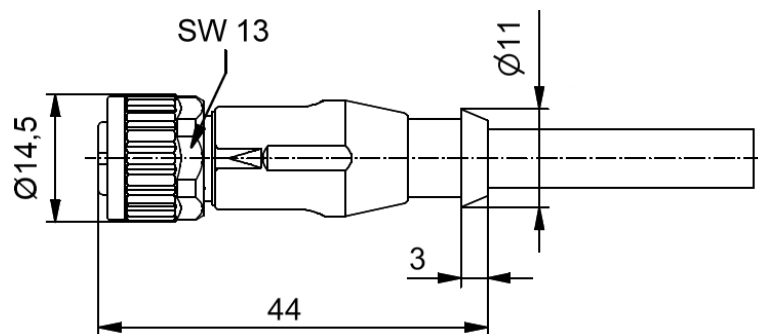
Connection sensor	Female plug S12 (M12 x 1) 12 wire
Cable	PVC, UL 2464, 12 x 0,14 mm <sup>2</sup> , shielded
Ambient temperature	-30 ... +80 °C
Protection class	IP 67

**Connection**



- |        |           |
|--------|-----------|
| 1 = BN | 7 = BK    |
| 2 = BU | 8 = GY    |
| 3 = WH | 9 = RD    |
| 4 = GN | 10 = VT   |
| 5 = PK | 11 = GYPK |
| 6 = YE | 12 = RDBU |

**Dimension (mm)**



**Further information**

Document