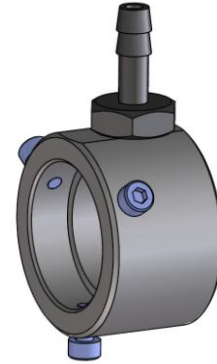


- Blower attachment for optics OAC, OACF
- Protection against contamination of the lens
- Cooling the lens



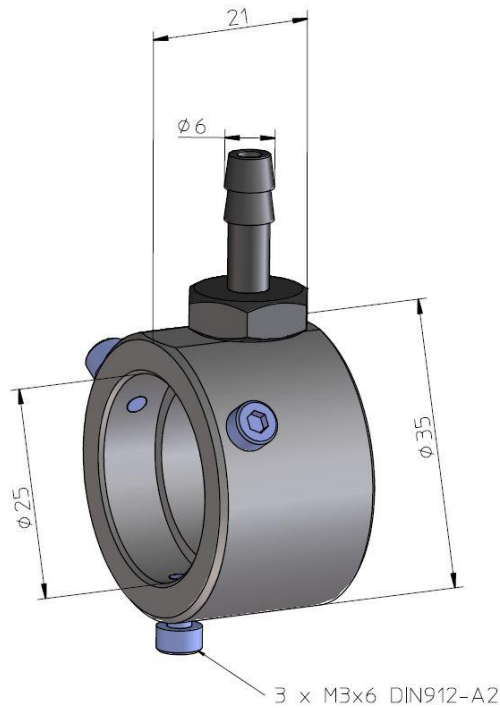
**Product Characteristics**

Type	OL 44
Art.-No.	9829B
Application	Protection against contamination and cooling of the lens from optics OAC or OACF

**Technical Data**

Hose connection	hose nozzle
Air pressure max.	0,5 bar
Air consumption	50 l/min (0,1 bar)
Housing material	stainless steel

**Dimension (mm)**



**Accessories** (in scope of supply)

	Type	Art.-No.
	-	-

**Accessories** (not in scope of supply)

	Type	Art.-No.
	-	-

**Further information**

	Document
Operating manual	-