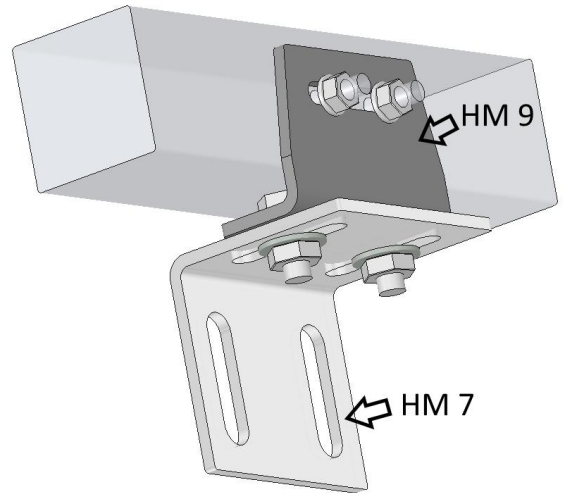


The mounting bracket HM 9 enables easy mounting of inductive strip sensors of series IKU 01, IKU 02, IKU 03.

Can line mounting is possible in combination with mounting bracket HM 7



Technical Data

Type	HM 9
Art.-No.	9816I
Material	stainless steel
Usable for series	IKU 01, IKU 02, IKU 03
2 x Nut M5, DIN 6923, A2	in scope of supply
Accessory (not in scope of supply)	Art.-No.
Mounting bracket HM 7	9816G

